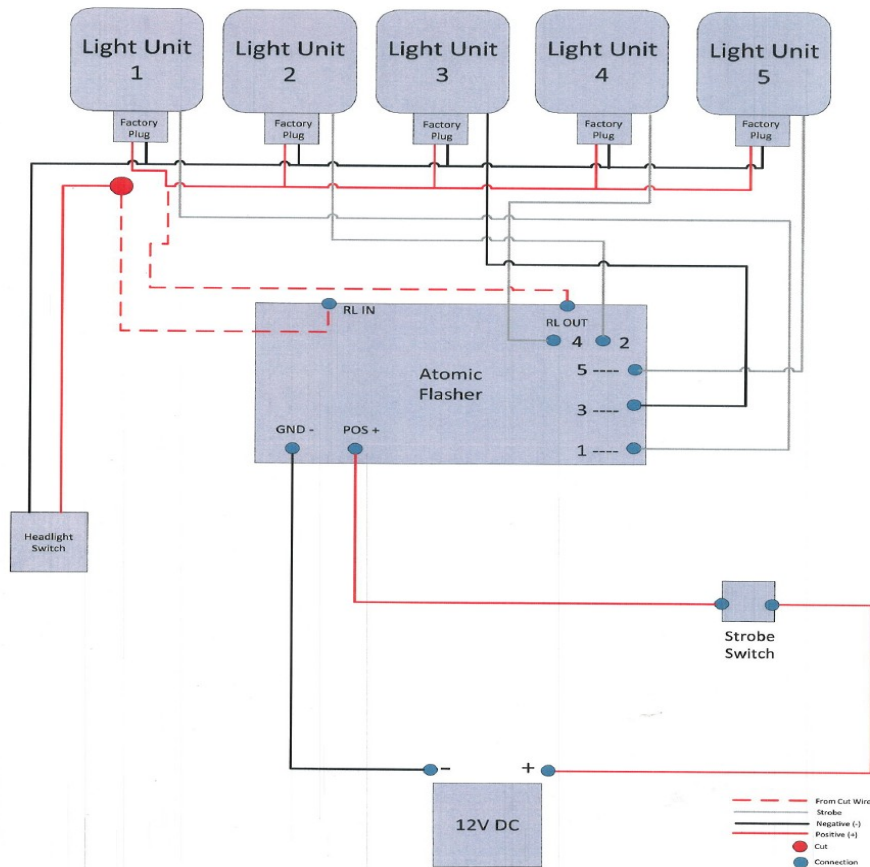


BULLET/LARGE TRUCK LIGHT (CLASS 8) RUNNING LIGHT INSTALLATION

Remove the roof access panel on the interior of the truck to gain access to the roof light wires.

Unscrew the factory roof lights. Connect the positive and negative wires from the truck to the positive and negative wires on your new Atomicled roof lights. Screw in your new Atomicled roof lights. To hook up the flasher: run 12v (+) fused power from a switch to the 12v pin on the flasher, run a ground wire to the ground pin (-). You now need to connect the red wires to the outputs on the flasher. Starting on the drivers side, hook output #1, to light #1, output #2 to lights #2, output #3 to light #3, output #4 to light #4, output #5 to light #5. You will need to cut the pos (+) wire on your factory harness in the windshield pillar. Run the truck side of the cut wire to the R/L in pin on the flasher. Run the light side of the cut wire to the R/L out pin on the flasher, so when your lights are on and you turn on your strobes, the roof running lights turn off. See diagram. To change the flash patterns on the flasher, with the flasher activated: Apply +12V(+) to the S/L pin.

*****FOR ALL WARRANTY ISSUES, PLEASE CONTACT ATOMICLED*****



****ALL WARRANTY MATTERS, PLEASE CONTACT THE MANUFACTURER @ info@atomicled.com****